



ComNav®

M10-CF

GNSS Chart
Plotter Fishfinder

10.4" Color LCD

FEATURES

- ▶ 800 X 600 resolution and wide angle of view.
- ▶ Supports GPS, BEIDOU and SBAS (WAAS, EGNOS, MSAS, GAGAN)
- ▶ Provide AIS input interfaces to connect with AIS device conveniently and display AIS targets dynamically on the chart.
- ▶ Echo Sounder transmit power is 600W and transmit frequency is 50KHz / 200KHz.
- ▶ Conform to IP65 water-proof standard.
- ▶ Intelligent automatic operation mode in Echo Souder mode, such as automatic seabed tracking, auto range, auto shift, auto gain control
- ▶ Pre build-in global reference chart which can be upgraded regularly.
- ▶ Floating GND power design, more stable and reliable.

M10-CF SPECIFICATION

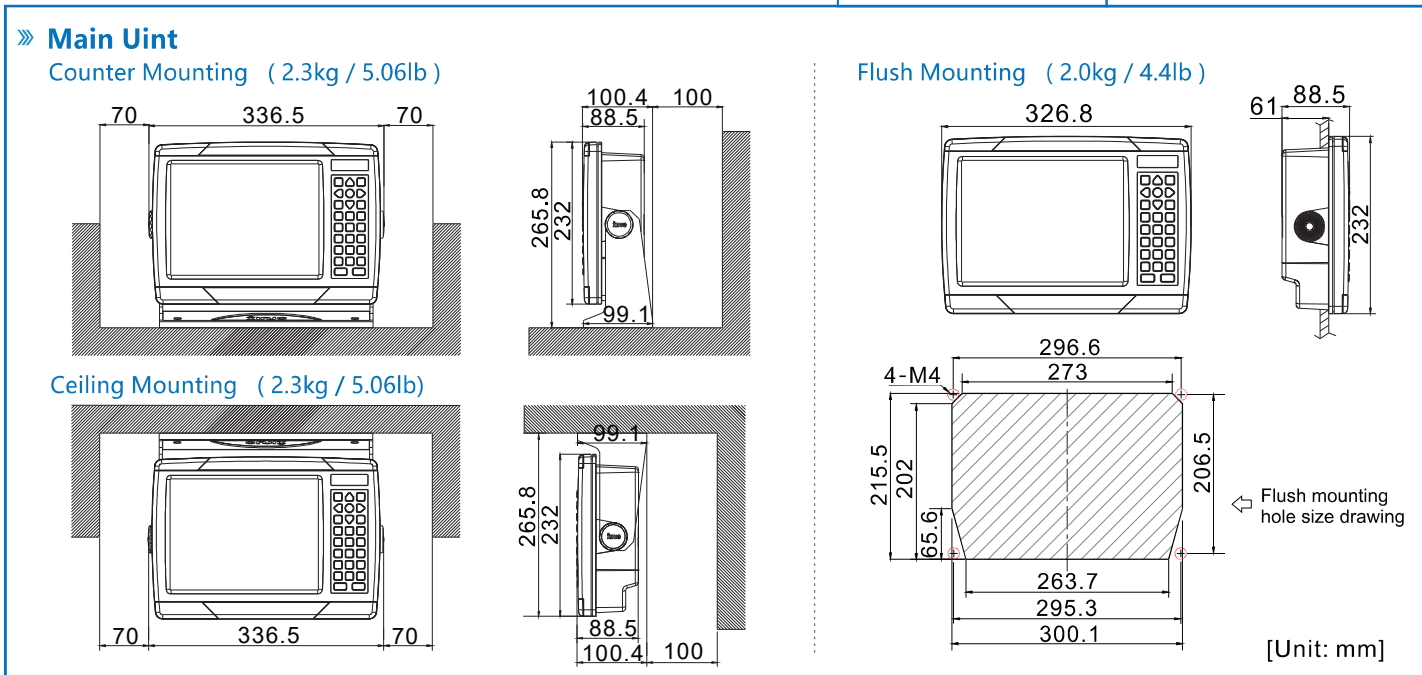
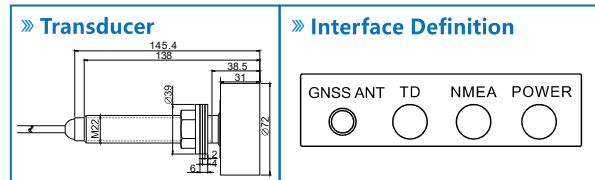
General	
Display	10.4 inch Color TFT LCD
Display Resolution	800 × 600 pixels (SVGA)
Display Brightness	350cd/m ²
Language	Default: English Optional: Multi-Language
Memory Capacity	6000 waypoints; 10000 marks; 800 tracks; 200 routes (48 points each route); 200drawlines (40 points each drawline);
Interface	NMEA 0183 Input 2 Ports, NMEA 0183 Output 2 Ports
Chart	Optional
Power Supply	DC10V-36V

Echo Sounder Specifications	
Transmit Frequency	50/200KHz
Transmit Power	600W
Range Units	The following ranges*in meter, fathoms(FM), and feet(FT) are selectable
Range Ability	Meter/FM: 2.5, 5.0, 10, 15, 20, 30, 40, 50, 80, 100, 150, 200 300 500 1000 FT: 5, 10, 20, 30, 40, 60, 80, 100, 150, 200, 300, 500, 1000, 2000, 3000
Manual Phasing	Each basic range can be phased (shifted) up or down in: one-unit steps
Expansion Type	Bottom Discrimination, Bottom and Zoom are selectable
Display Modes	Single frequency (high or low) full-screen mode Single frequency split-screen mode with expanded Single frequency split-screen mode with bottom discrimination Dual frequency split-screen mode
A-Scope	The A-scope display can be turned on/off separately in right side screen
Gain	Adjustable in 31 steps for each operating frequency via keypad
STC	Adjustable in 10 steps for each operating frequency via keypad
Bottom Tracking Modes	Auto Range Mode, Auto Shift Mode
Echo Colors Tone	8 colors
Echo Signal Level	1 2 3 4
Echo Background Color	Blue(default), black or white
Decoloration	Up to four weak echo colors can be turned off without changing receiver gain
White Line	Highlight the display the outline of bottom
Image Speed	0 1 2 3 4 5 6 7 8
Noise Reduction	LOW, MID, HIGH
Depth Alarm Modes	Shallow Mode, Deep Mode
Fish Alarm Color	According to the 7 different eche colors: 1L(Weak) 2L 3L 4L(Mediu) 5L 6L 7L(Strong)
Fish Alarm Level	Small, Medium and Large
Digital Depth Readout	Quick to adjust the VRM and get the depth value
Sonic Speed Set	1500 meters/second (default) Adjustable over 1400 to 1600 m/sec.
Draft Set	Adjustable in 0.1-unit steps via menu system
DPT Output Sentences	\$\$XDPT (NMEA-0183)

Enviromental	
Operating Temperature	-15°C ~ +55°C
Storage Temperature	-20°C ~ +70°C
Operating Humidity	0% -93%
Waterproofing	IP65

GNSS Receiver	
GNSS Receiver	32 channels (Support WAAS/EGNOS/MSAS/GAGAN)
Receive Frequency	L1(1575.42MHz) ; B1(1561.098MHz)
Position Accuracy	GPS&BDS 2.5m GPS 3m BDS 5m
Speed Accuracy	0.1m/s (50%@10m/s)
Acquisition Time	Cold Start: <32s 、 Hot Start:<1s
Tracking Velocity	999 knots
Coordinate Systems	WGS-84 (and others)

Packing List	
Main Unit×1set	Data Cable with 8 Pins Plug×1 pc
Mounting Bracket×1pc	GNSS Antenna×1 pc
Knob ×2 pcs	User's Manual ×1 pc
Power Cable ×1 pc	Quick Guide ×1pc
Optional: Transducer with 10m Cable x 1pc	



Certified System
ISO 9001
OMI-SAI Global

ComNav Marine Ltd.
 #15-13511 Crestwood Place,
 Richmond, British Columbia • Canada • V6V 2G1
 Phone: 604-207-1600 • Fax: 604-207-8008
 E-mail: sales@comnav.com

www.comnav.com
 Worldwide Service
 Printed in Canada

Dealer:

